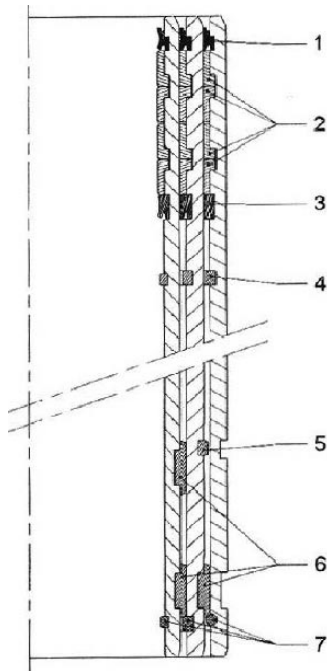




HERCULES INTERNATIONAL

SEALING PRODUCTS

HYVA TELESCOPIC CYLINDERS FC & FE SERIES



Pack Kit Consist of:

- 1- Wiper
- 2- Bearings
- 3- U-seal

PACKING:

Twin lip 92A urethane U-seals

WIPERS:

Dual lips snap-in 92A urethane

BEARINGS:

Polyacetal L-shaped bearing rings

STAGES:

60, 78, 99, 120, 141, 162, 183 and 207

WIPER, U-SEAL AND BEARINGS KITS		
Part Number	Description	List USD
HYVA-017-600-87K	60mm Pack Kit	25.48
HYVA-017-600-75K	78mm Pack Kit	35.32
HYVA-017-600-63K	99mm Pack Kit	42.44
HYVA-017-600-51K	120mm Pack Kit	47.82
HYVA-017-600-40K	141mm Pack Kit	52.81
HYVA-017-600-38K	162mm Pack Kit	62.88
HYVA-017-600-26K	183mm Pack Kit	73.75
HYVA-017-600-14K	207mm Pack Kit	98.92

MULTI-STAGE KITS		
Part Number	Description	List USD
HYVA-120-3	78, 99 & 120 Kit	110.56
HYVA-141-4	78, 99, 120 & 141 Kit	165.60
HYVA-162-4	99, 120, 141 & 162 Kit	210.35
HYVA-183-5	99, 120, 141, 162 & 183 Kit	261.11
HYVA-207-5	120, 141, 162, 183 & 207 Kit	316.66

NORTH AMERICAN
PHONE 1-800-777-5617
FAX 1-800-759-6391

SALES OFFICE HOURS
9 A.M. TO 8 P.M. EASTERN TIME
www.herculesbulldog.com

WORLDWIDE
PHONE 1-727-796-1300
FAX 1-727-797-8849